



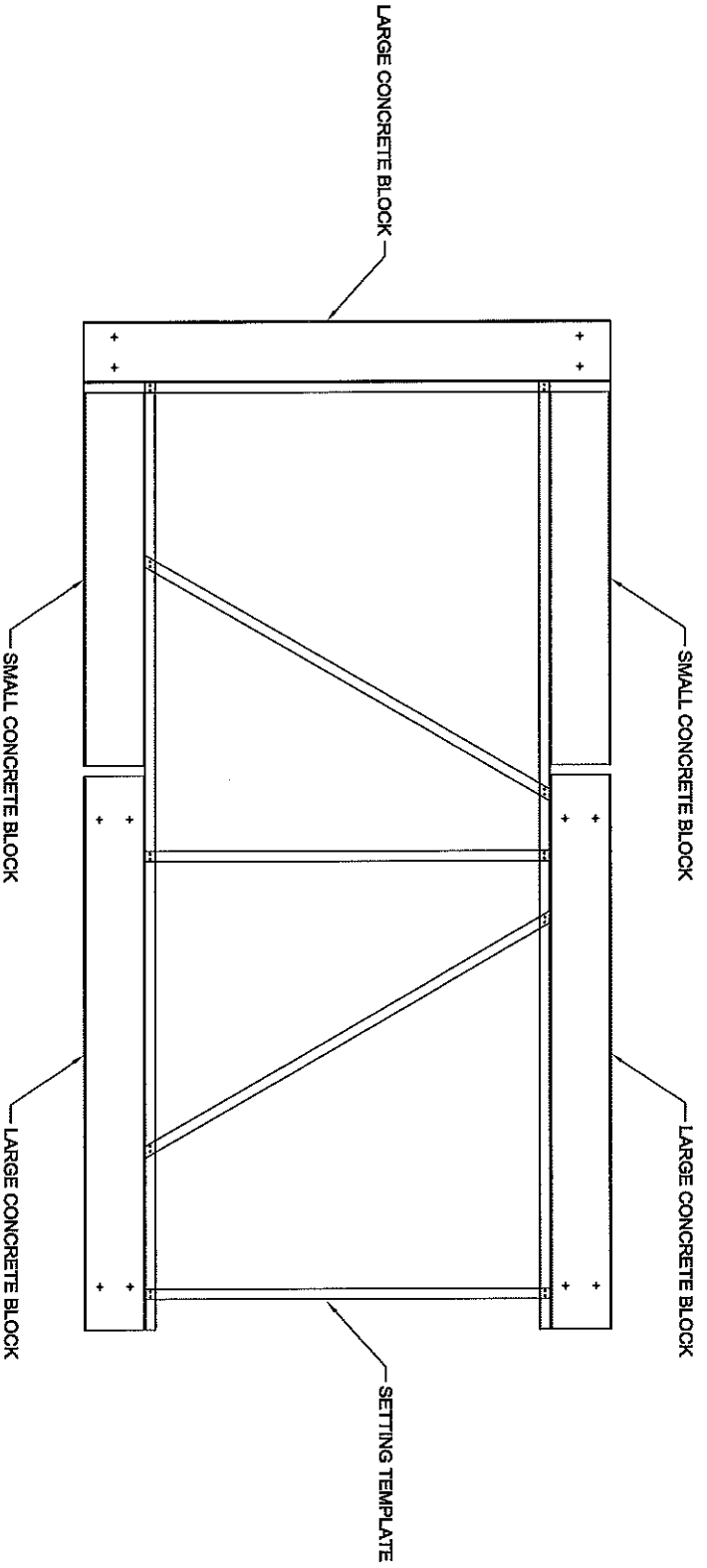
**BRASCO INTERNATIONAL, INC.**

32400 INDUSTRIAL DRIVE  
 MADISON HEIGHTS, MICHIGAN 48071  
 1-800-893-3665  
 WWW.BRASCO.COM

THIS DRAWING IS PROPRIETARY AND IS FOR THE SOLE USE OF OUR CUSTOMERS AND MAY NOT BE REPRODUCED OR COPIED WITHOUT WRITTEN PERMISSION FROM BRASCO INTERNATIONAL. LEAD TIME BEGINS UPON RECEIPT OF SIGNED APPROVAL.

SIGNED: \_\_\_\_\_

DATE: \_\_\_\_\_



VIEW SHOWING CONCRETE BLOCK POSITIONS WITH CONCRETE BLOCK SETTING TEMPLATE

CUSTOMER:	BRASCO INTERNATIONAL	ENGINEER:	BMB
PROJECT:	CART CORRAL ASSEMBLY INSTRUCTIONS	DATE:	9-21-11
MODEL:	CC816	CHECKER:	X
JOB #	-	DATE:	X-X-XX
		SHEET #:	2

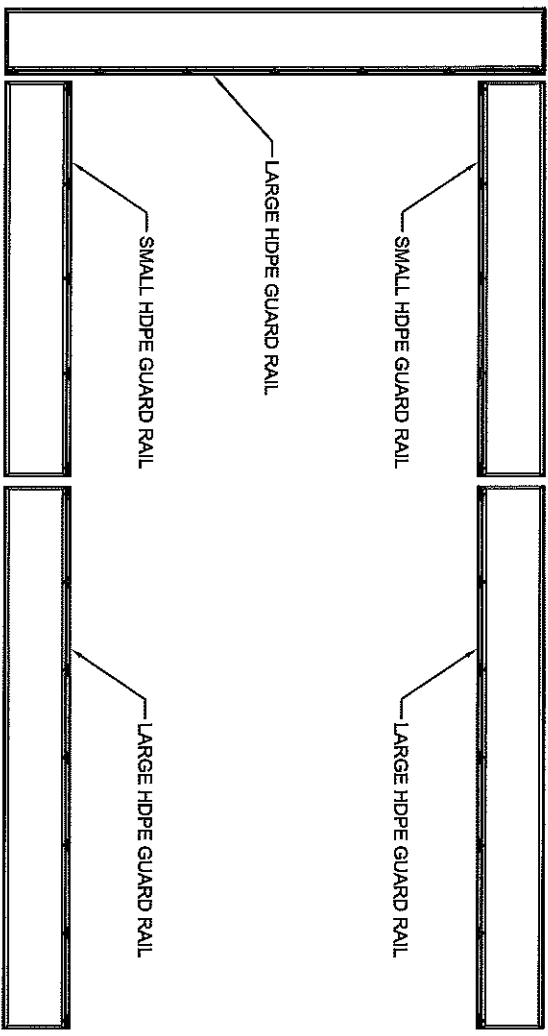


**BRASCO INTERNATIONAL, INC.**

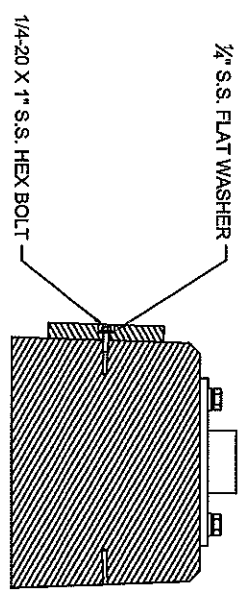
32400 INDUSTRIAL DRIVE  
 MADISON HEIGHTS, MICHIGAN 48071  
 1-800-893-3665 WWW.BRASCO.COM

THIS DRAWING IS PROPRIETARY AND IS FOR THE SOLE USE OF OUR CUSTOMERS AND MAY NOT BE REPRODUCED OR COPIED WITHOUT WRITTEN PERMISSION FROM BRASCO INTERNATIONAL. LEAD TIME BEGINS UPON RECEIPT OF SIGNED APPROVAL.

SIGNED: \_\_\_\_\_ DATE: \_\_\_\_\_



VIEW SHOWING HDPE GUARD RAILS PLACEMENT ON CONCRETE BLOCKS



VIEW SHOWING TYPICAL ATTACHMENT OF HDPE GUARD RAILS TO CONCRETE BLOCKS

CUSTOMER:	BRASCO INTERNATIONAL	ENGINEER:	BMB
PROJECT:	CART CORRAL ASSEMBLY INSTRUCTIONS	DATE:	9-21-11
MODEL:	CC816	CHECKER:	X
		DATE:	X-X-XX
		JOB #	-
		SHEET #:	3

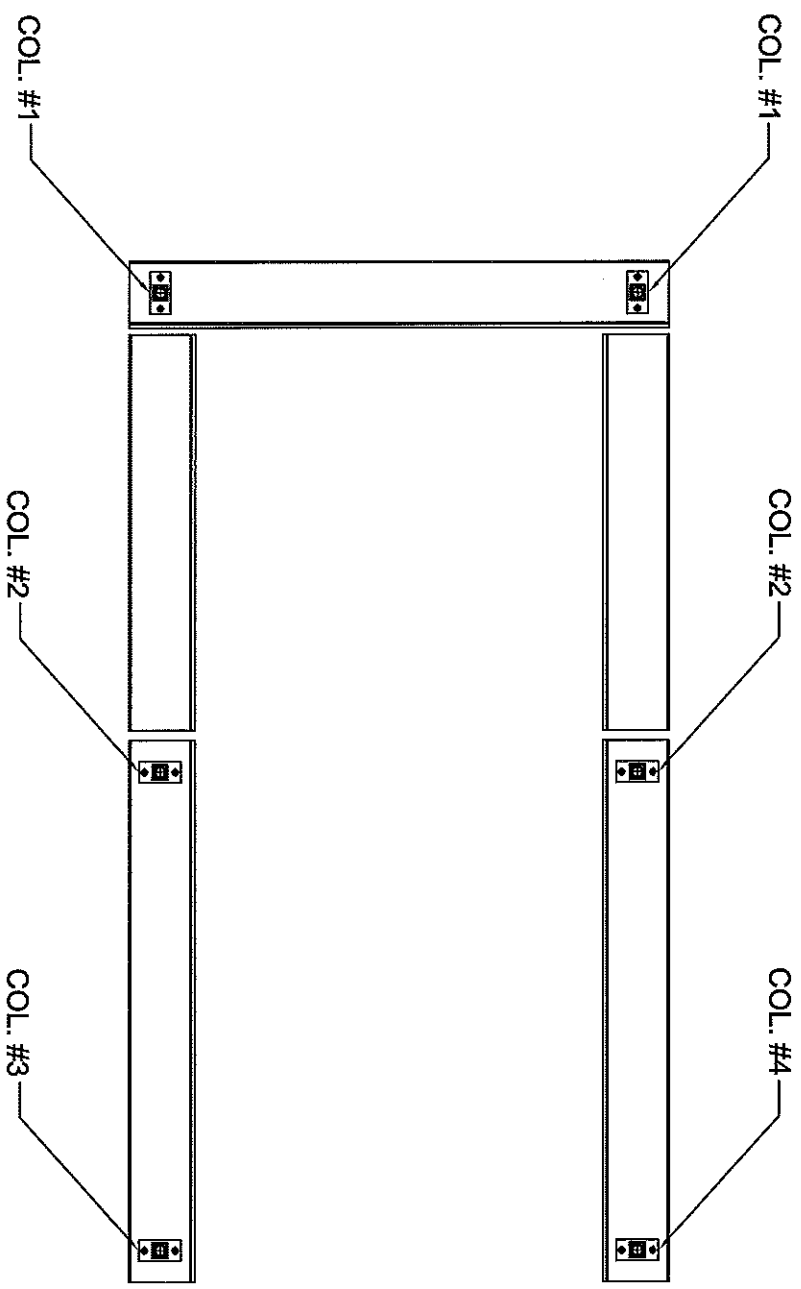


**BRASCO INTERNATIONAL, INC.**

32400 INDUSTRIAL DRIVE  
 MADISON HEIGHTS, MICHIGAN 48071  
 1-800-893-3665 WWW.BRASCO.COM

THIS DRAWING IS PROPRIETARY AND IS FOR THE SOLE USE OF OUR CUSTOMERS AND MAY NOT BE REPRODUCED OR COPIED WITHOUT WRITTEN PERMISSION FROM BRASCO INTERNATIONAL. LEAD TIME BEGINS UPON RECEIPT OF SIGNED APPROVAL.

SIGNED: \_\_\_\_\_ DATE: \_\_\_\_\_



VIEW SHOWING COLUMN PLACEMENT ON CONCRETE BLOCKS

CUSTOMER:	BRASCO INTERNATIONAL	ENGINEER:	BMB
PROJECT:	CART CORRAL ASSEMBLY INSTRUCTIONS	DATE:	9-21-11
MODEL:	CC816	CHECKER:	X
		DATE:	X-X-XX
JOB #	-	SHEET #:	4



**BRASCO INTERNATIONAL, INC.**

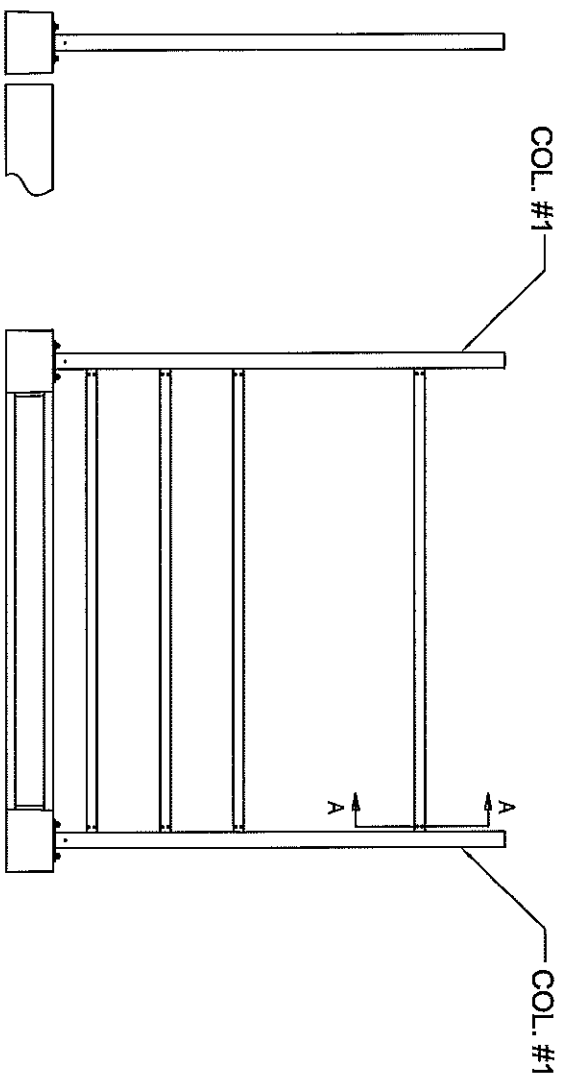
32400 INDUSTRIAL DRIVE  
 MADISON HEIGHTS, MICHIGAN 48071  
 1-800-893-3665 WWW.BRASCO.COM

THIS DRAWING IS PROPRIETARY AND IS FOR THE SOLE USE OF OUR CUSTOMERS AND MAY NOT BE REPRODUCED OR COPIED WITHOUT WRITTEN PERMISSION FROM BRASCO INTERNATIONAL. LEAD TIME BEGINS UPON RECEIPT OF SIGNED APPROVAL.

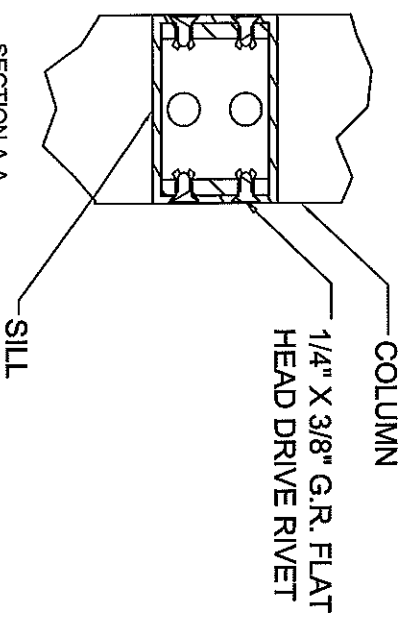
SIGNED: \_\_\_\_\_ DATE: \_\_\_\_\_

CUSTOMER:	BRASCO INTERNATIONAL	ENGINEER:	BMB
PROJECT:	CART CORRAL ASSEMBLY INSTRUCTIONS	DATE:	9-21-11
MODEL:	CC816	CHECKER:	X
		DATE:	X-X-XX
		JOB #	-
		SHEET #:	5

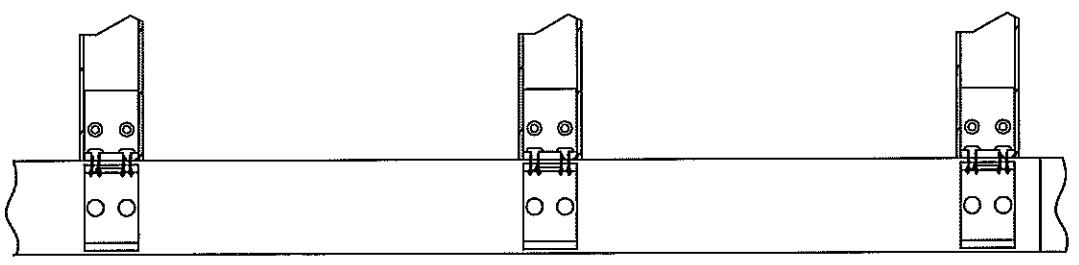
VIEW SHOWING BACK WALL ASSEMBLY  
 COLUMN #1 ON EACH END WITH SILLS  
 ATTACHED TO COLUMNS AS SHOWN



SECTION A-A  
 SHOWING TYPICAL ATTACHMENT  
 OF SILLS TO COLUMNS

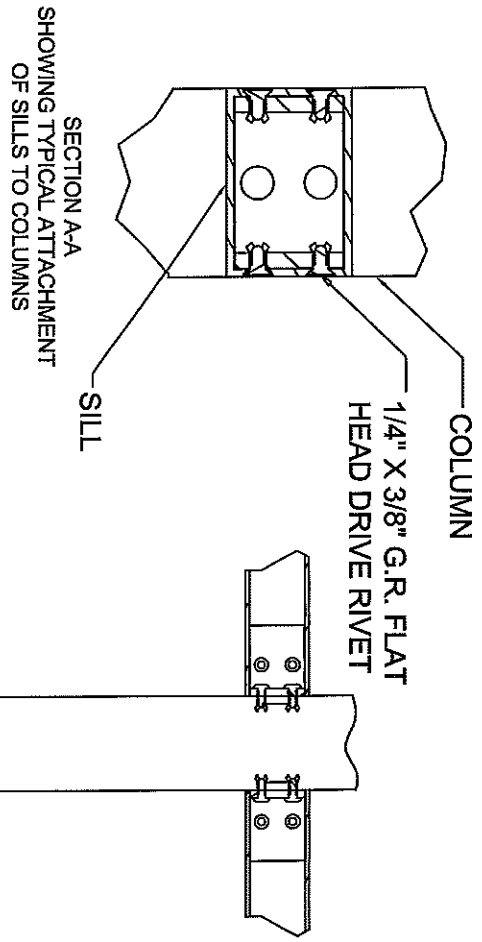


VIEW SHOWING SILLS LOCATED OVER CLIPS SILLS,  
 DO NOT ATTACH UNTIL ALL WALLS ARE INSTALLED

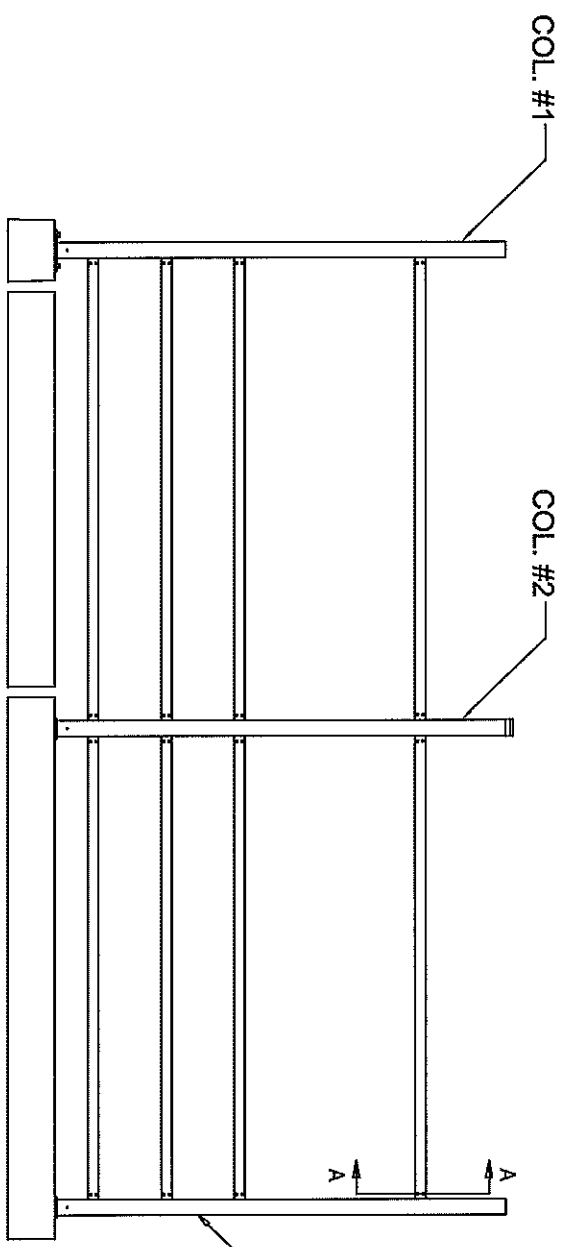




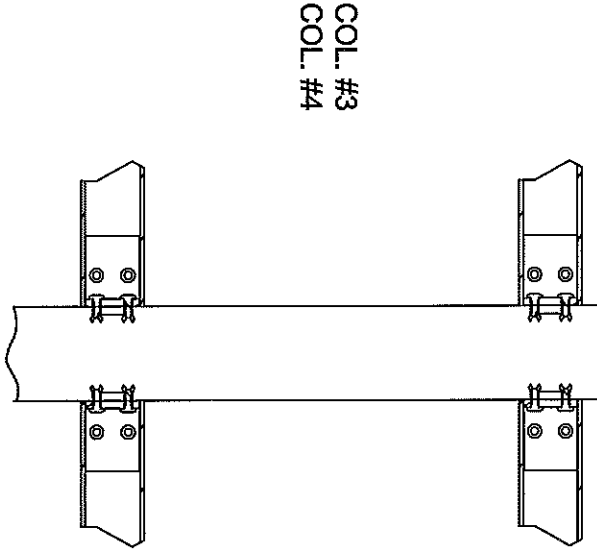
INTERMEDIATE CLIP  
 VIEW SHOWING PROPER ORIENTATION OF COLUMN #2 ASSEMBLIES  
 (INTERMEDIATE CLIPS MUST BE FACING INSIDE OF CORRAL AT INSTALLATION)



SECTION A-A  
 SHOWING TYPICAL ATTACHMENT  
 OF SILLS TO COLUMNS



VIEW SHOWING SIDE WALL ASSEMBLIES COLUMNS AS SHOWN NEAR AND  
 FAR SIDE WITH SILLS ATTACHED TO COLUMNS AS SHOWN  
 (REFERANCE SHEET #4 FOR COLUMN PLACEMENT)



VIEW SHOWING SILLS LOCATED OVER CLIPS SILLS,  
 DO NOT ATTACH UNTIL ALL WALLS ARE INSTALLED



**BRASCO INTERNATIONAL, INC.**

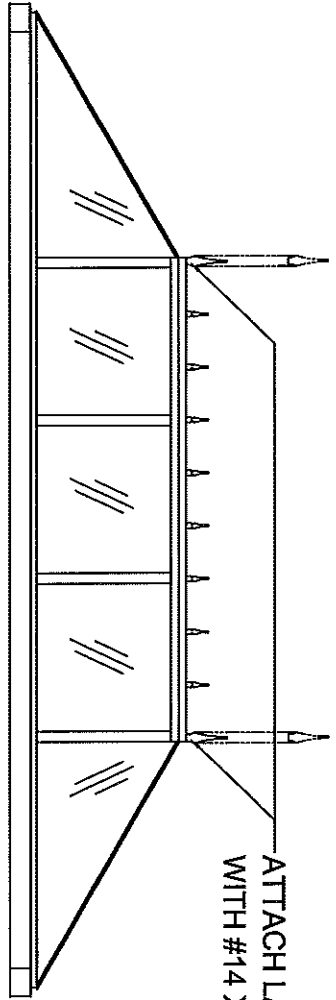
32400 INDUSTRIAL DRIVE  
 MADISON HEIGHTS, MICHIGAN 48071  
 1-800-893-3665  
 WWW.BRASCO.COM

THIS DRAWING IS PROPRIETARY AND IS FOR THE SOLE USE OF  
 OUR CUSTOMERS AND MAY NOT BE REPRODUCED OR COPIED  
 WITHOUT WRITTEN PERMISSION FROM BRASCO INTERNATIONAL.  
 LEAD TIME BEGINS UPON RECEIPT OF SIGNED APPROVAL.

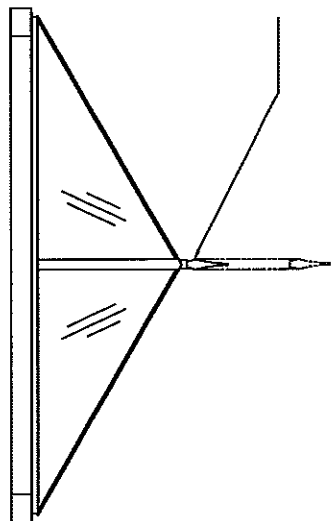
SIGNED: \_\_\_\_\_ DATE: \_\_\_\_\_

CUSTOMER:	BRASCO INTERNATIONAL	ENGINEER:	BMB
PROJECT:	CART CORRAL ASSEMBLY INSTRUCTIONS	DATE:	9-21-11
MODEL:	CC816	CHECKER:	X
JOB #	-	DATE:	X-X-XX
SHEET #	6		

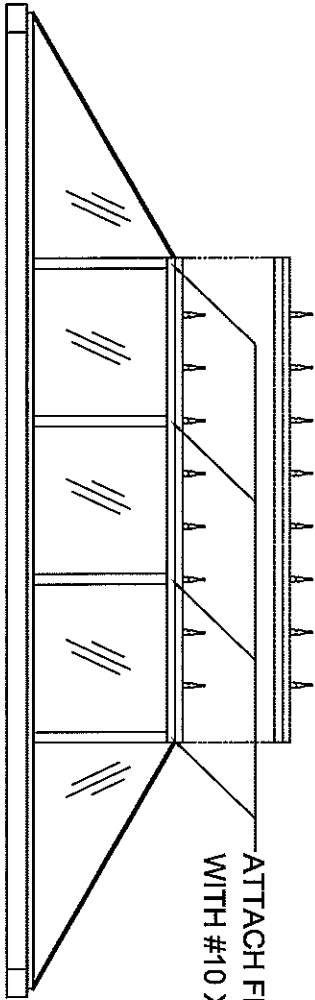
NOTE: YOUR ROOF ASSEMBLY MAY NOT REQUIRE THIS STEP, ILLUSTRATIONS FOR ONLY ROOF ASSEMBLIES WHICH HAVE FINIALS.



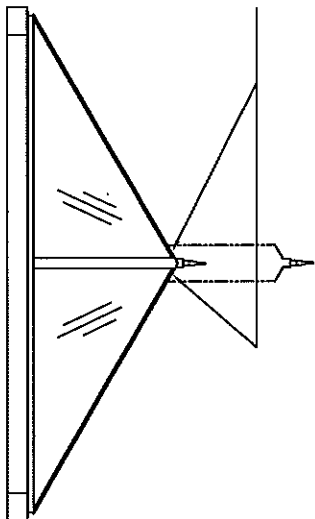
ATTACH LARGE FINIAL TO FINIAL CAP WITH #14 X 1" HEX HEAD TEK SCREW



VIEW SHOWING LARGE FINIAL ATTACHMENT TO FINIAL CAP WITH #14 X 1" HEX HEAD, TEK SCREW (FINIAL CAP IS INSTALLED OVER ANGLE ON FINIAL CAP AND ATTACHED WITH TEK SCREW INTO ANGLE)



ATTACH FINIAL CAP AT EACH RAFTER WITH #10 X 1" HEX HEAD TEK SCREW



VIEW SHOWING FINIAL CAP ATTACHMENT TO ROOF ASSEMBLY WITH #10 X 1" HEX HD, TEK SCREW (FINIAL CAP IS ATTACHED (4) PLACES BOTH SIDES AT EACH RAFTER)



**BRASCO INTERNATIONAL, INC.**

32400 INDUSTRIAL DRIVE  
MADISON HEIGHTS, MICHIGAN 48071  
1-800-893-3665  
WWW.BRASCO.COM

THIS DRAWING IS PROPRIETARY AND IS FOR THE SOLE USE OF OUR CUSTOMERS AND MAY NOT BE REPRODUCED OR COPIED WITHOUT WRITTEN PERMISSION FROM BRASCO INTERNATIONAL. LEAD TIME BEGINS UPON RECEIPT OF SIGNED APPROVAL.

SIGNED: \_\_\_\_\_

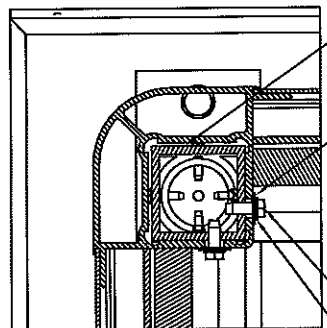
DATE: \_\_\_\_\_

CUSTOMER:	BRASCO INTERNATIONAL	ENGINEER:	BMB
PROJECT:	CART CORRAL ASSEMBLY INSTRUCTIONS	DATE:	9-21-11
MODEL:	CC816	CHECKER:	X
		DATE:	X-X-XX
		JOB #	-
		SHEET #:	7

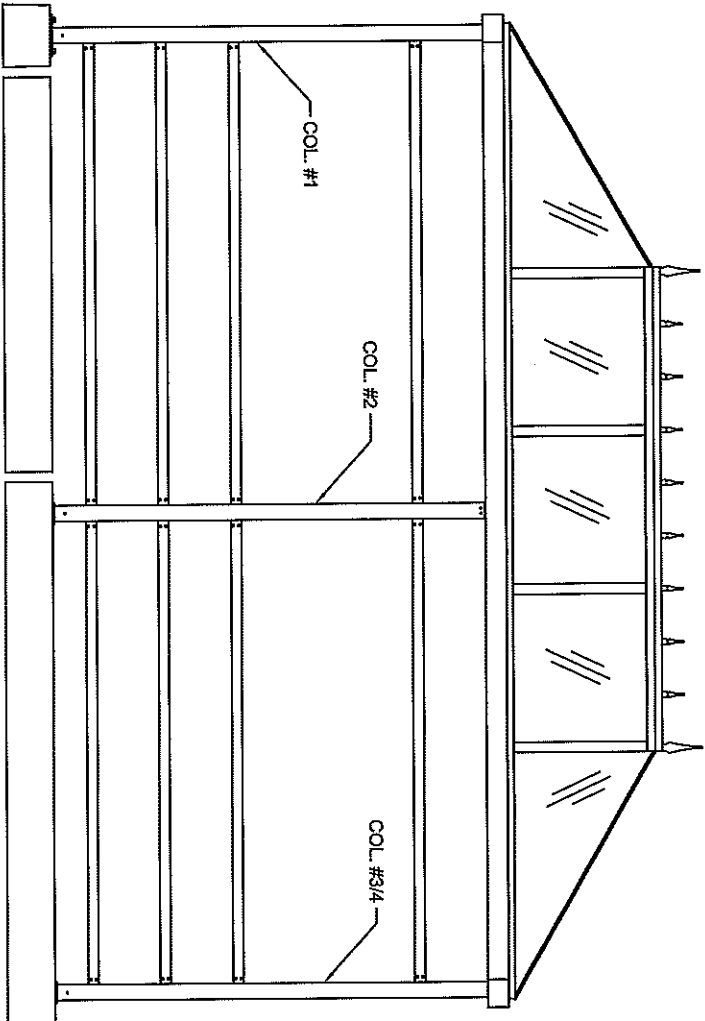
NOTE: YOUR ROOF ASSEMBLY MAY DIFFER FROM PICTURE SHOWN  
(ALL ROOF ASSEMBLIES WILL HAVE THE SAME CONNECTIONS)

3/8" S.S. FLAT WASHER

3/8-16 X 1" LG.  
S.S. HEX BOLT



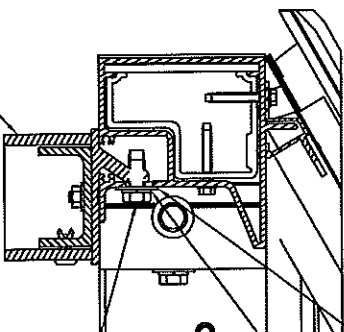
VIEW SHOWING TYPICAL CONNECTION OF  
CORNER COLUMNS TO ROOF ASSEMBLY



VIEW SHOWING ROOF ASSEMBLY INSTALLED ONTO COLUMNS  
(SEE ADDITIONAL VIEWS FOR TYPICAL CONNECTIONS)

COLUMN

3/8" S.S. LOCK WASHER



VIEW SHOWING TYPICAL CONNECTION OF  
INTERMEDIATE COLUMNS TO ROOF ASSEMBLY

3/8" S.S. FLAT WASHER

3/8" S.S. LOCK WASHER

3/8-16 X 1" LG.  
S.S. HEX BOLT

COLUMN



**BRASCO INTERNATIONAL, INC.**

32400 INDUSTRIAL DRIVE  
MADISON HEIGHTS, MICHIGAN 48071  
1-800-893-3665  
WWW.BRASCO.COM

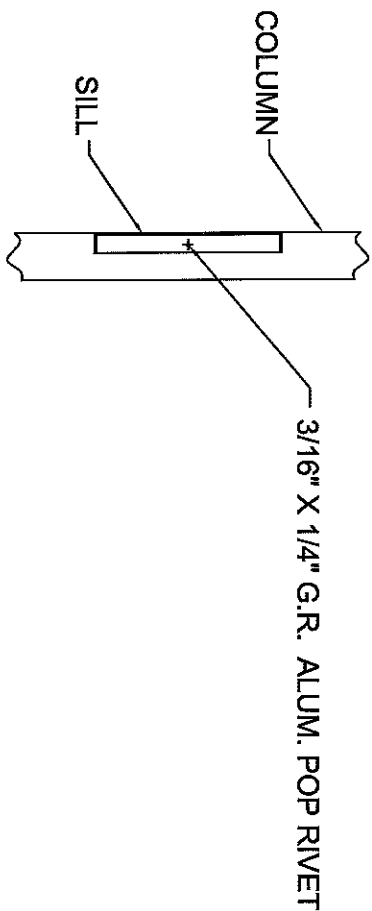
THIS DRAWING IS PROPRIETARY AND IS FOR THE SOLE USE OF  
OUR CUSTOMERS AND MAY NOT BE REPRODUCED OR COPIED  
WITHOUT WRITTEN PERMISSION FROM BRASCO INTERNATIONAL.  
LEAD TIME BEGINS UPON RECEIPT OF SIGNED APPROVAL.

SIGNED: \_\_\_\_\_

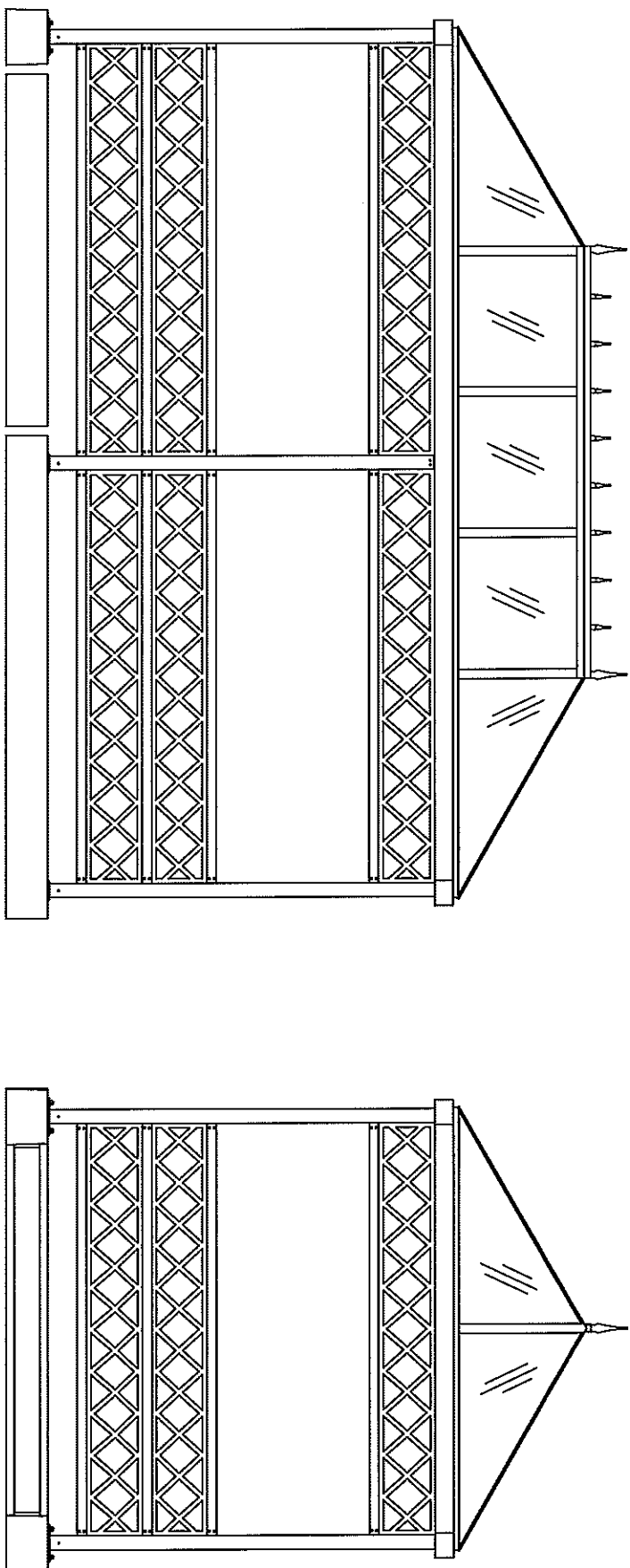
DATE: \_\_\_\_\_

CUSTOMER:	BRASCO INTERNATIONAL	ENGINEER:	BMB
PROJECT:	CART CORRAL ASSEMBLY INSTRUCTIONS	DATE:	9-21-11
MODEL:	CC816	CHECKER:	X
		DATE:	X-X-XX
		JOB #	-
		SHEET #	8

NOTE: YOUR ROOF ASSEMBLY AND GRILLWORK  
MAY DIFFER FROM PICTURE SHOWN



VIEW SHOWING TYPICAL ATTACHMENT  
OF GRILLWORK TO COLUMNS



VIEWS SHOWING GRILLWORK  
PLACEMENT BETWEEN COLUMNS  
(SEE ADDITIONAL VIEW FOR TYPICAL ATTACHMENT)



**BRASCO INTERNATIONAL, INC.**

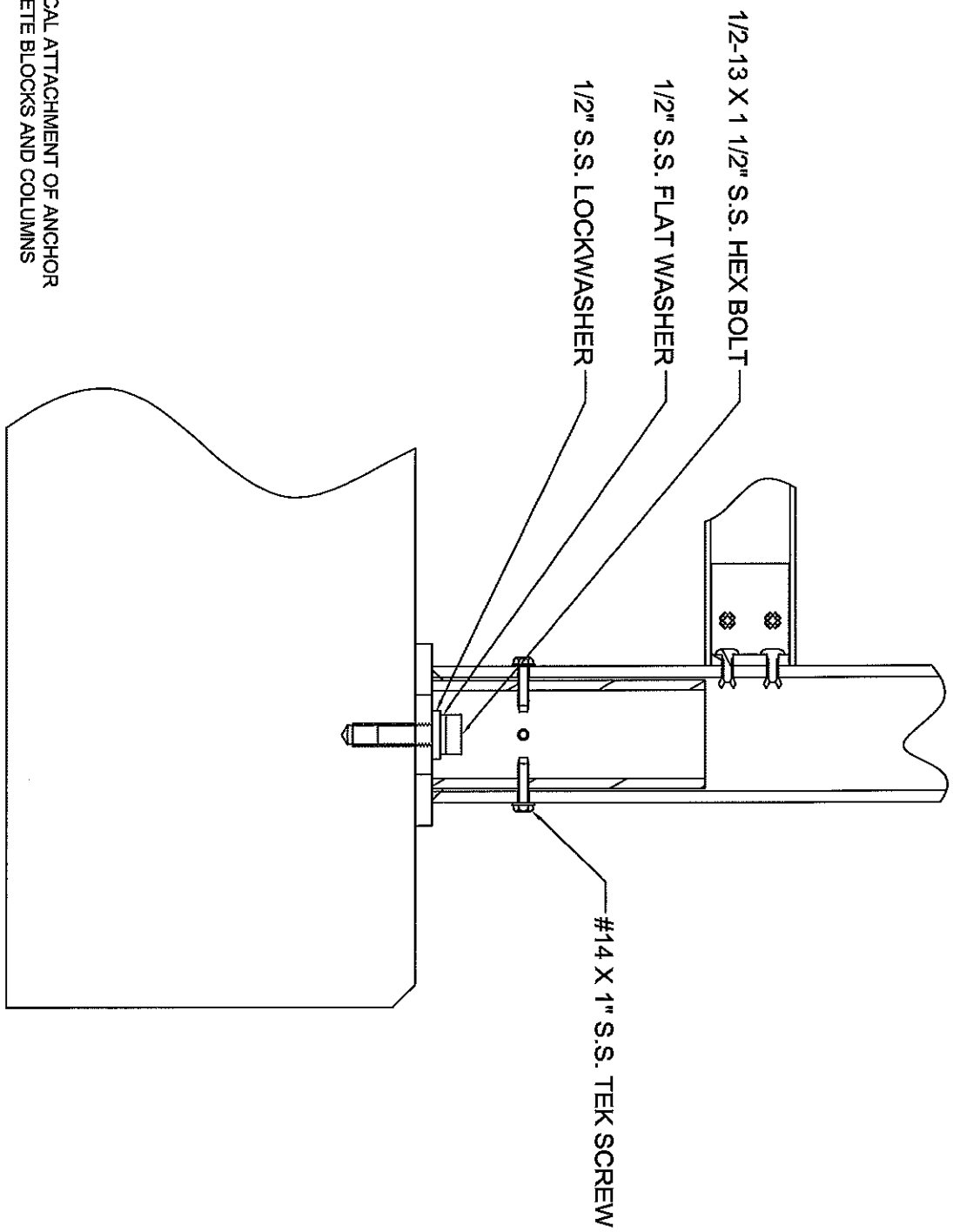
32400 INDUSTRIAL DRIVE  
MADISON HEIGHTS, MICHIGAN 48071  
1-800-893-3665  
WWW.BRASCO.COM

THIS DRAWING IS PROPRIETARY AND IS FOR THE SOLE USE OF  
OUR CUSTOMERS AND MAY NOT BE REPRODUCED OR COPIED  
WITHOUT WRITTEN PERMISSION FROM BRASCO INTERNATIONAL.  
LEAD TIME BEGINS UPON RECEIPT OF SIGNED APPROVAL.

SIGNED: \_\_\_\_\_ DATE: \_\_\_\_\_

CUSTOMER:	BRASCO INTERNATIONAL	ENGINEER:	BMB
PROJECT:	CART CORRAL ASSEMBLY INSTRUCTIONS	DATE:	9-21-11
MODEL:	CC816	CHECKER:	X
		DATE:	X-X-XX
		JOB #	-
		SHEET #:	9





VIEW SHOWING TYPICAL ATTACHMENT OF ANCHOR  
BOOTS TO CONCRETE BLOCKS AND COLUMNS



**BRASCO INTERNATIONAL, INC.**

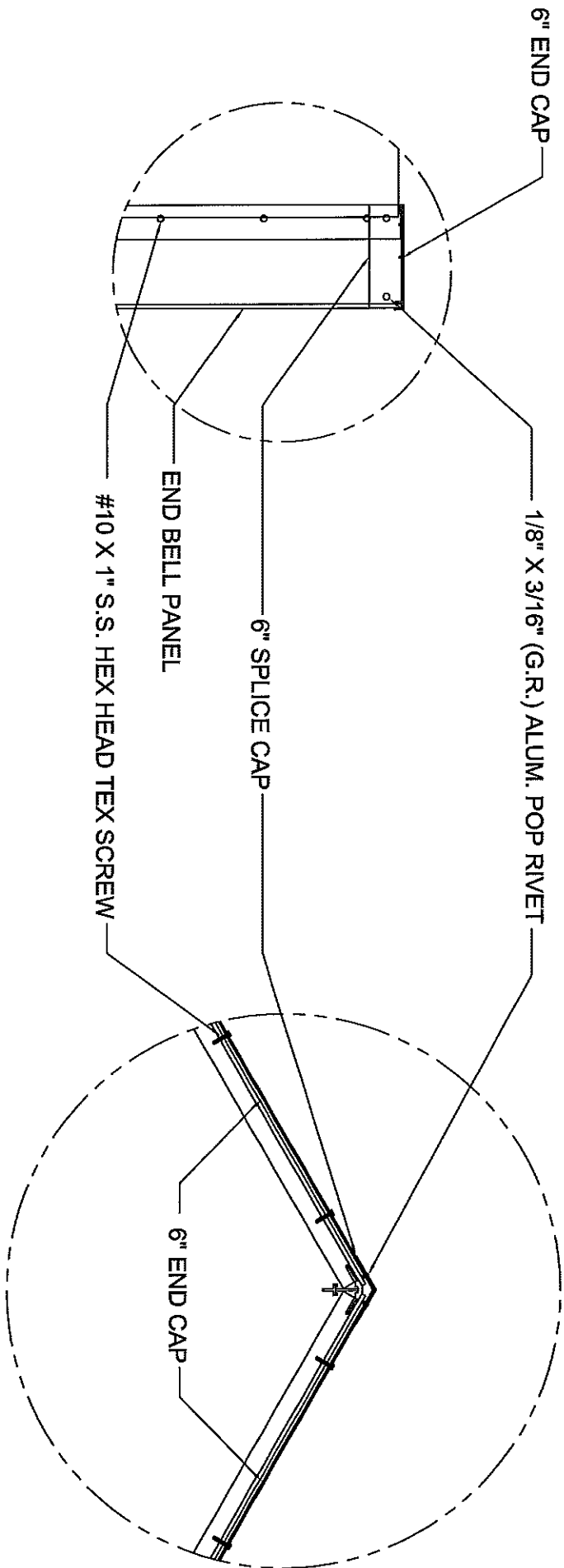
32400 INDUSTRIAL DRIVE  
MADISON HEIGHTS, MICHIGAN 48071  
1-800-893-3665 WWW.BRASCO.COM

THIS DRAWING IS PROPRIETARY AND IS FOR THE SOLE USE OF  
OUR CUSTOMERS AND MAY NOT BE REPRODUCED OR COPIED  
WITHOUT WRITTEN PERMISSION FROM BRASCO INTERNATIONAL.  
**LEAD TIME BEGINS UPON RECEIPT OF SIGNED APPROVAL.**

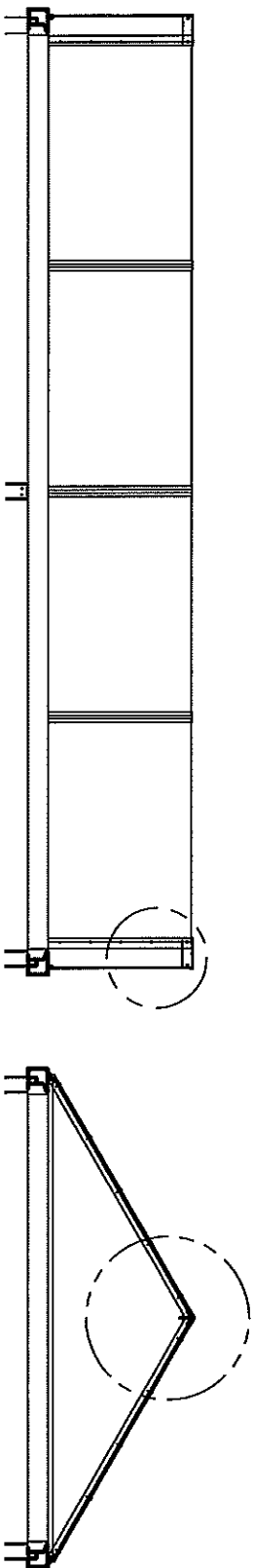
SIGNED: \_\_\_\_\_ DATE: \_\_\_\_\_

CUSTOMER:	BRASCO INTERNATIONAL	ENGINEER:	BMB
PROJECT:	CART CORRAL ASSEMBLY INSTRUCTIONS	DATE:	9-21-11
MODEL:	CC816	CHECKER:	X
JOB #	-	DATE:	X-X-XX
		SHEET #:	10

NOTE: THIS INSTRUCTION IS ONLY FOR GLAZED GABLE STYLE ROOF INSTALLATION



ENLARGED VIEWS SHOWING END BELL PLACEMENT AND ATTACHMENT OF 6" END CAP TO ROOF RAFTER AND 6" SPLICE CAP TO 6" END CAP TYPICAL EACH SIDE AND BOTH ENDS



**BRASCO INTERNATIONAL, INC.**

32400 INDUSTRIAL DRIVE  
 MADISON HEIGHTS, MICHIGAN 48071  
 1-800-893-3665 WWW.BRASCO.COM

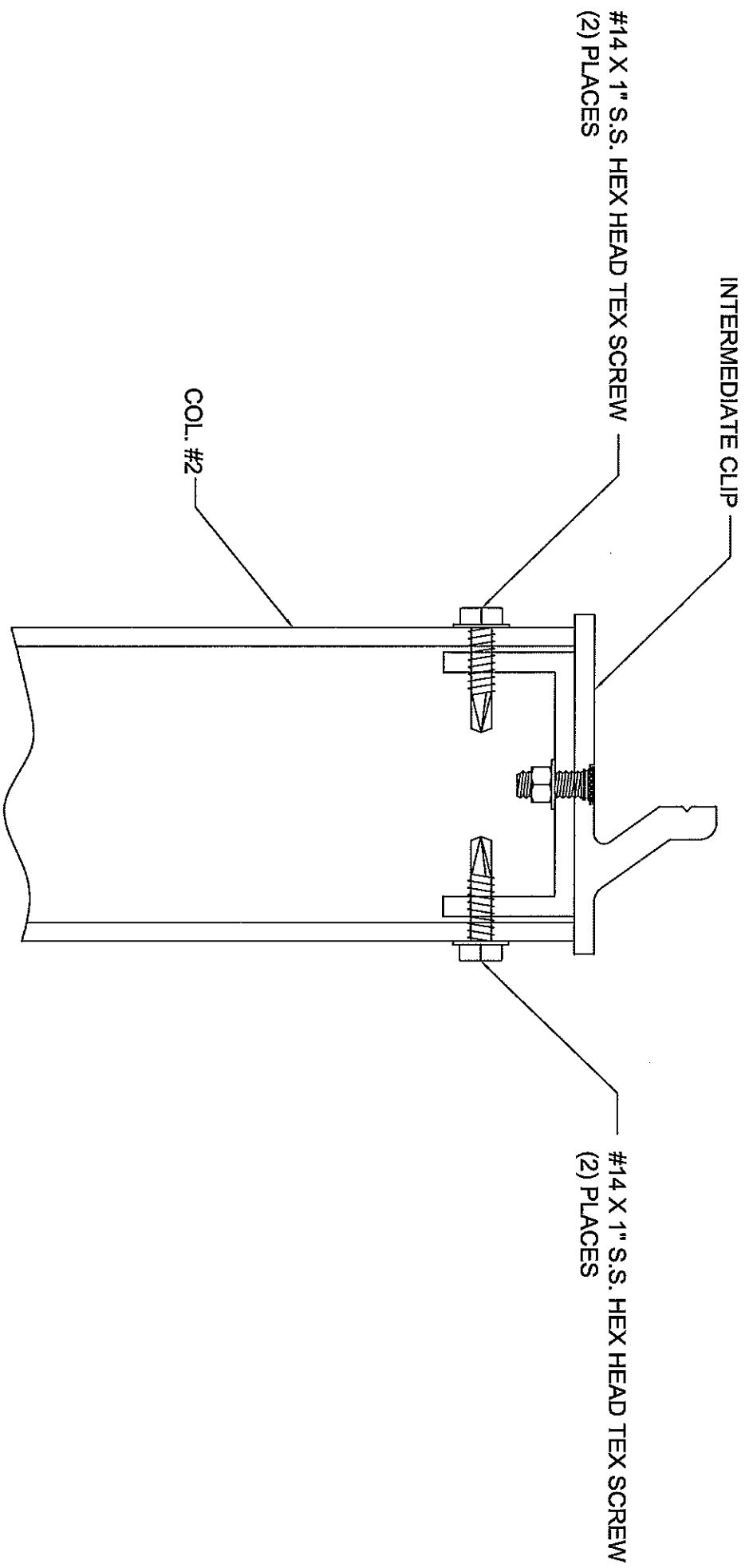
THIS DRAWING IS PROPRIETARY AND IS FOR THE SOLE USE OF OUR CUSTOMERS AND MAY NOT BE REPRODUCED OR COPIED WITHOUT WRITTEN PERMISSION FROM BRASCO INTERNATIONAL. LEAD TIME BEGINS UPON RECEIPT OF SIGNED APPROVAL.

SIGNED: \_\_\_\_\_

DATE: \_\_\_\_\_

CUSTOMER:	BRASCO INTERNATIONAL	ENGINEER:	BMB
PROJECT:	CART CORRAL ASSEMBLY INSTRUCTIONS	DATE:	9-21-11
MODEL:	CC816	CHECKER:	X
		DATE:	X-X-XX
JOB #	-	SHEET #:	11

NOTE: IF INTERMEDIATE CLIP IS NOT ATTACHED TO COLUMN #2, USE THE FOLLOWING INSTRUCTION FOR PROPER ATTACHMENT.



**BRASCO INTERNATIONAL, INC.**

32400 INDUSTRIAL DRIVE  
 MADISON HEIGHTS, MICHIGAN 48071  
 1-800-893-3665 WWW.BRASCO.COM

THIS DRAWING IS PROPRIETARY AND IS FOR THE SOLE USE OF OUR CUSTOMERS AND MAY NOT BE REPRODUCED OR COPIED WITHOUT WRITTEN PERMISSION FROM BRASCO INTERNATIONAL. LEAD TIME BEGINS UPON RECEIPT OF SIGNED APPROVAL.

SIGNED: \_\_\_\_\_ DATE: \_\_\_\_\_

CUSTOMER:	BRASCO INTERNATIONAL	ENGINEER:	BMB
PROJECT:	CART CORRAL ASSEMBLY INSTRUCTIONS	DATE:	9-21-11
MODEL:	CC816	CHECKER:	X
		DATE:	X-X-XX
		JOB #	-
		SHEET #:	12