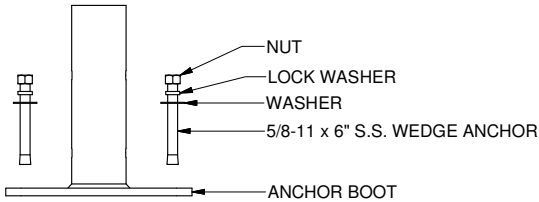
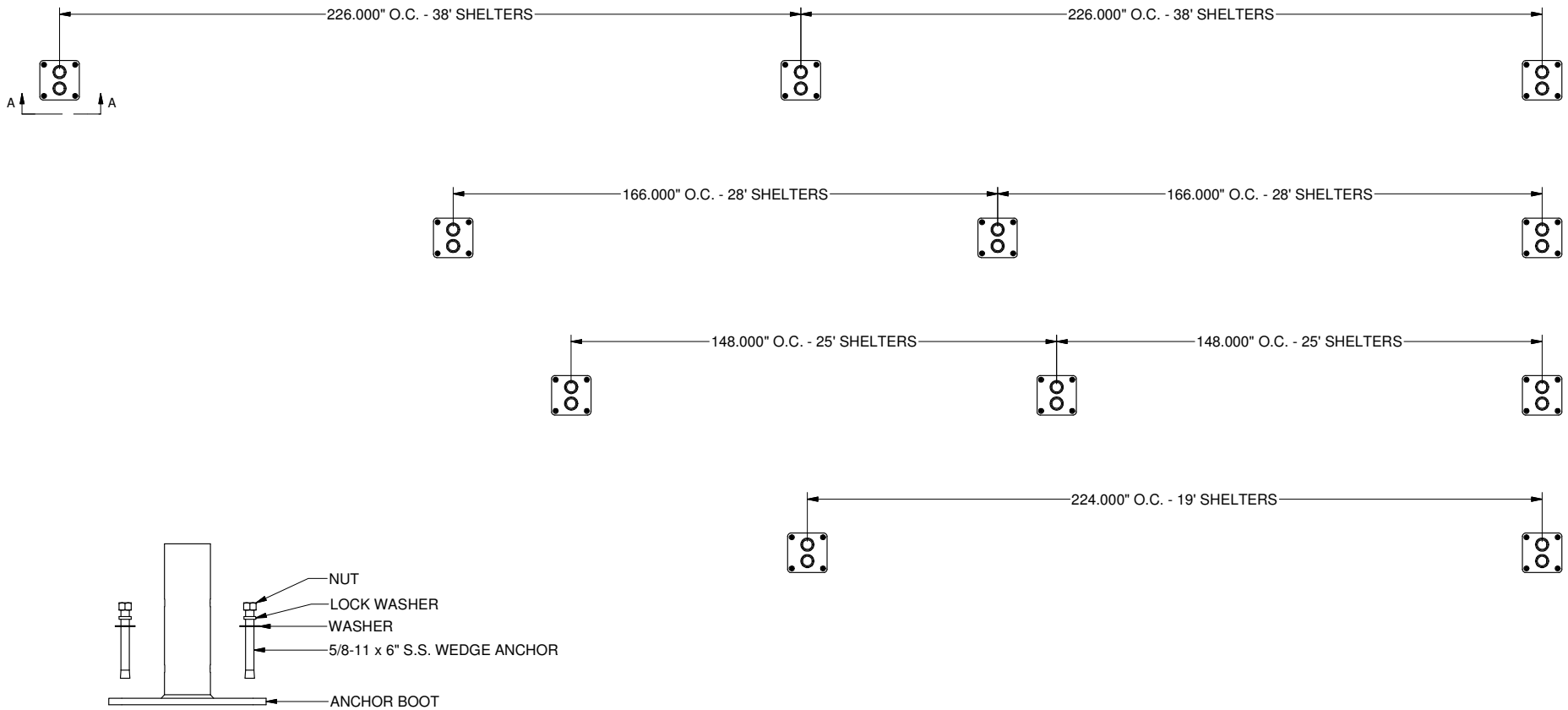


- LOCATE ANCHOR BOOT AS SHOWN. MARK ALL HOLE LOCATIONS AND MOVE BOOT OUT OF THE WAY.
- DRILL A $\varnothing 5/8"$ HOLE IN CONCRETE USING A CARBIDE BIT AND A HAMMER DRILL. THE HOLE NEEDS TO BE DRILLED A MIN. DEPTH OF 5 1/2" IN ORDER TO ALLOW SPACE FOR DEBRIS TO FALL DURING THE INSTALLATION PROCESS.
- BEFORE INSERTING THE WEDGE ANCHOR IT IS IMPORTANT TO CLEAN DEBRIS FROM THE HOLE USING A WIRE BRUSH, VACUUM OR COMPRESSED AIR TO ENSURE THAT THE HOLE IS CLEAN OF ANY DEBRIS. THIS STEP IS CRITICAL FOR SUCCESSFUL ANCHOR INSTALLATION.
- PUT THE WASHER AND LOCK WASHER ON THE WEDGE ANCHOR AND THREAD THE NUT ON. IT IS IMPORTANT TO MAKE SURE THAT THE NUT IS THREADED SO THAT THE TOP OF IT IS LEVEL WITH THE TOP OF THE WEDGE ANCHOR IN ORDER TO HELP PROTECT THE THREADS FROM ANY DAMAGE WHILE HAMMERING THE ANCHOR INTO THE HOLE.
- REPLACE ANCHOR BOOT AND ALIGN WITH HOLES.
- INSERT THE WEDGE ANCHOR WITH THE CLIP END FIRST THROUGH THE BOOT AND INTO HOLE IN THE CONCRETE. USING A HAMMER, HIT THE WEDGE ANCHOR AND NUT WITH SHARP BLOWS UNTIL THE WASHER AND NUT ARE SNUG AGAINST THE ANCHOR BOOT PLATE.
- DO NOT FULLY TIGHTEN THE NUTS UNTIL THE WALLS ARE ASSEMBLED AND THE ROOF IS IN PLACE.



SECTION A-A

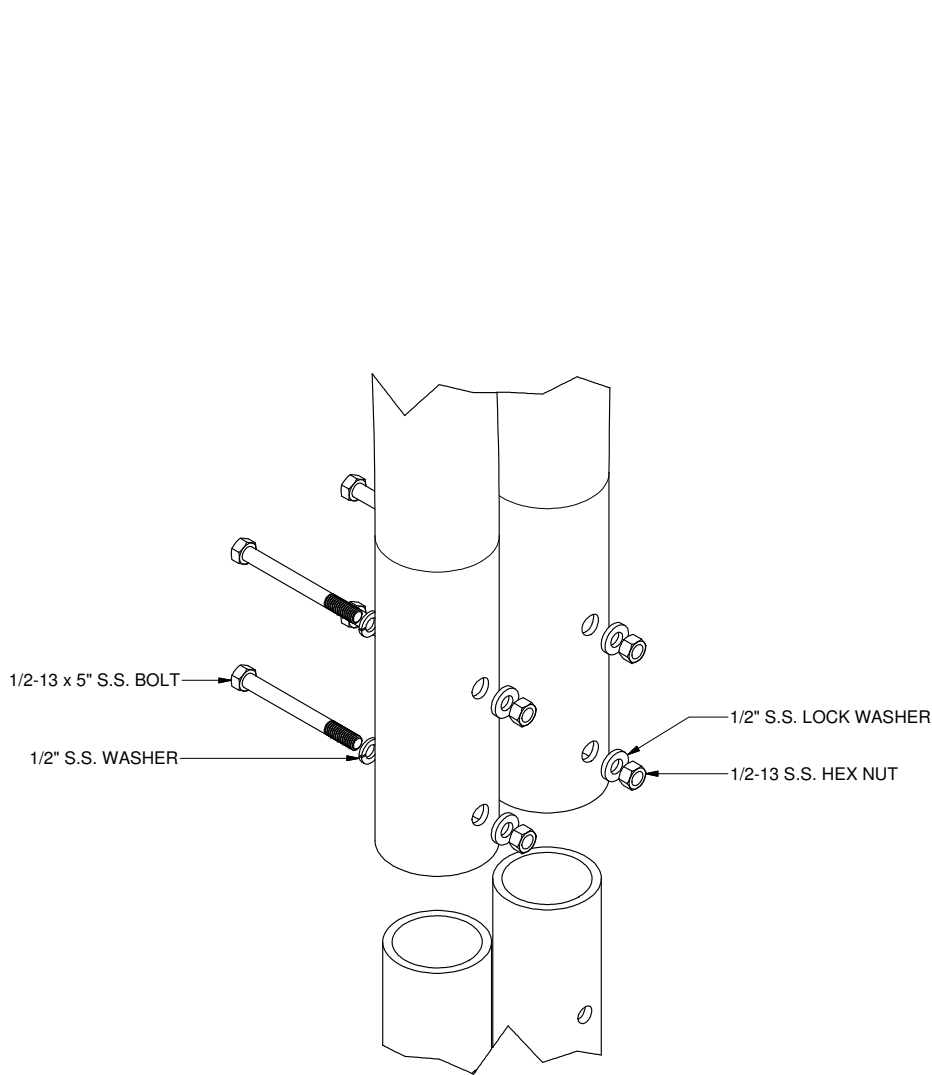


BRASCO INTERNATIONAL, INC.
 32400 INDUSTRIAL DR.
 MADISON HEIGHTS, MICHIGAN 48071
 1-800-893-3665 WWW.BRASCO.COM

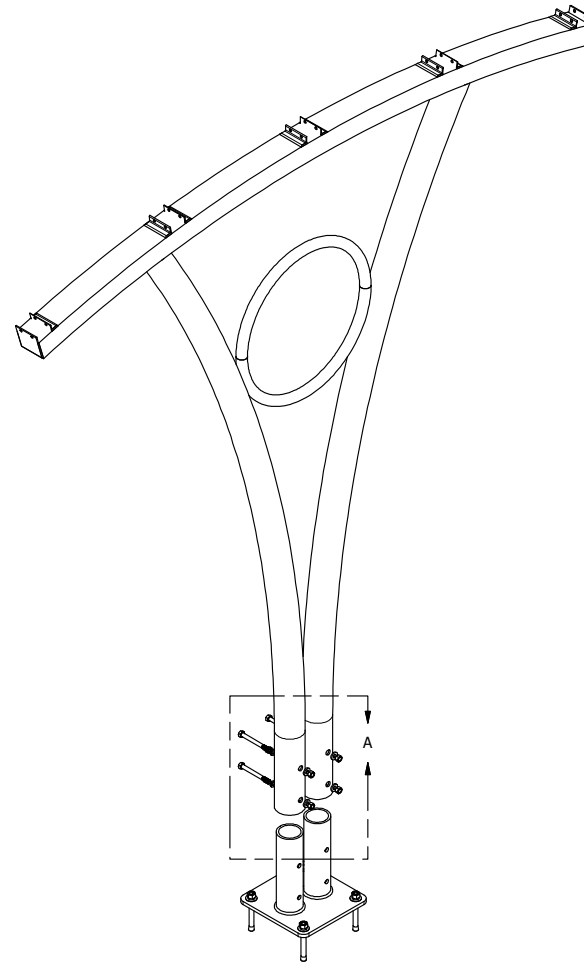
THIS DRAWING IS CONFIDENTIAL AND IS FOR THE SOLE USE OF OUR CUSTOMERS AND MAY NOT BE REPRODUCED OR COPIED WITHOUT WRITTEN PERMISSION FROM BRASCO INTERNATIONAL.


CUSTOMER: BRASCO INTERNATIONAL		DESIGNER: HAUS	CHECKER: BDH
PROJECT: INSTALLATION INSTRUCTIONS		DATE: 5-8-14	DATE: 5-9-14
MODEL: ANCHOR BOOT LAYOUTS	JOB #	SHEET: 001	REVISION: A

- SLIDE COLUMN WELDMENT ONTO ANCHOR BOOTS.
- SECURE USING (1) 1/2-13 x 5" S.S. HEX HEAD BOLT WITH WASHER, LOCK WASHER, & NUT PER CLEARANCE HOLE. (4) PER CONNECTION.
- DO NOT FULLY TIGHTEN.

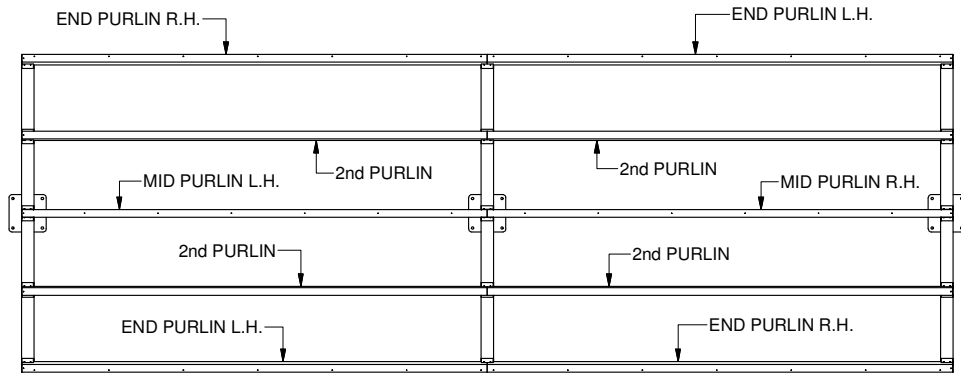


DETAIL A

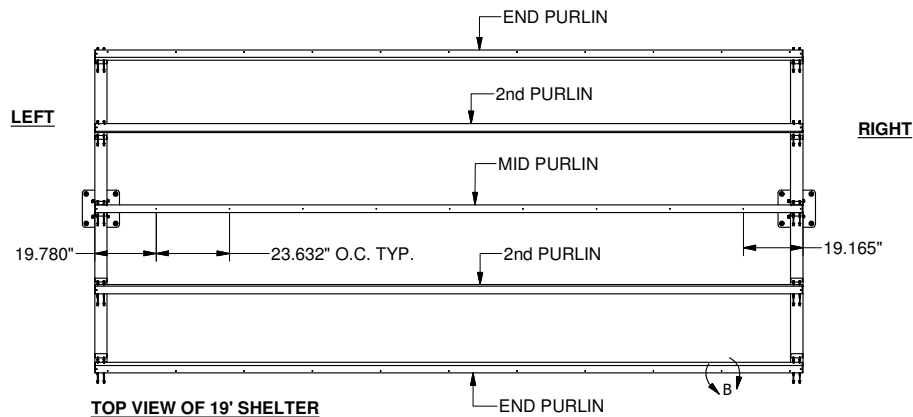


	BRASCO INTERNATIONAL, INC. 32400 INDUSTRIAL DR. MADISON HEIGHTS, MICHIGAN 48071 1-800-893-3665 WWW.BRASCO.COM		CUSTOMER: BRASCO INTERNATIONAL		DESIGNER: HAUS	CHECKER: BDH
	THIS DRAWING IS CONFIDENTIAL AND IS FOR THE SOLE USE OF OUR CUSTOMERS AND MAY NOT BE REPRODUCED OR COPIED WITHOUT WRITTEN PERMISSION FROM BRASCO INTERNATIONAL.		PROJECT: INSTALLATION INSTRUCTIONS	DATE: 5-8-14	DATE: 5-9-14	REVISION: A
	MODEL: COLUMN ATTACHMENT	JOB #	SHEET: 002			

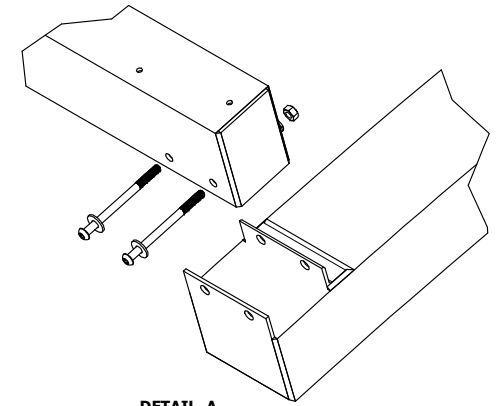
- LAYOUT PURLINS AS SHOWN. MAKE SURE HOLES IN END PURLINS ARE TOWARD THE OUTSIDE OF THE STRUCTURE AND HOLES IN MID PURLIN ARE ALIGNED AS SHOWN. DIMENSIONS ARE FROM THE ENDS OF THE PURLIN.
- SECURE PURLINS TO COLUMNS USING (1) 1/4-20 x 3 1/2" S.S. BOLT WITH WASHER, LOCK WASHER, & NUT PER CLEARANCE HOLE.



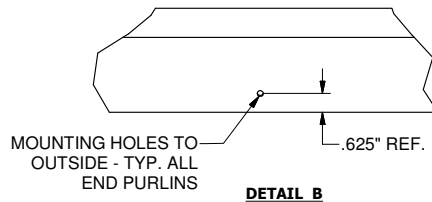
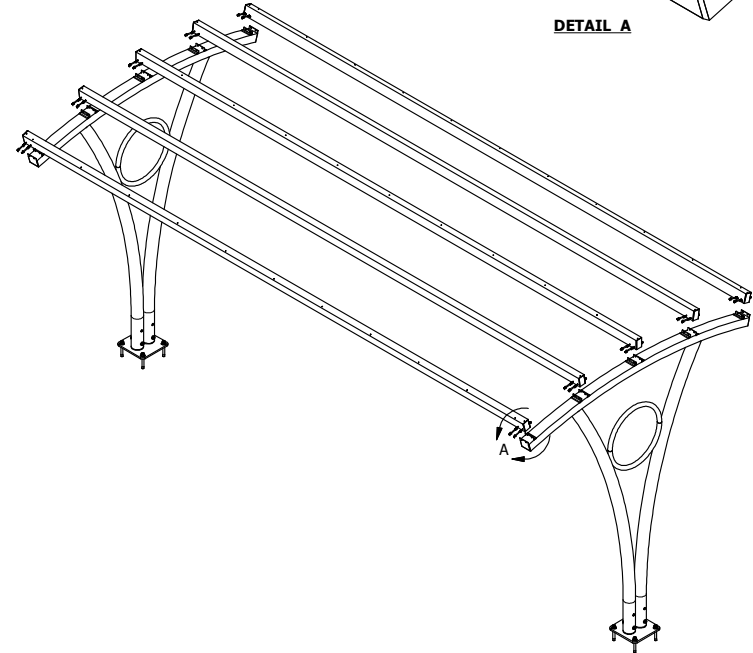
TOP VIEW OF 25', 28', & 38' SHELTERS




TOP VIEW OF 19' SHELTER



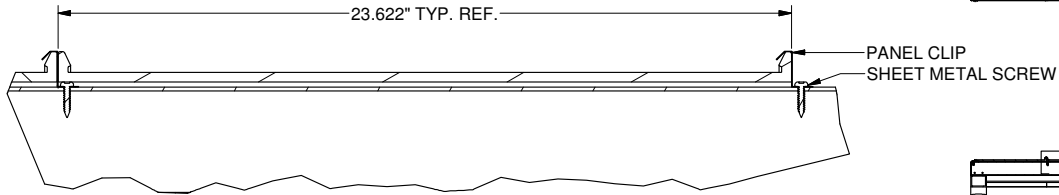
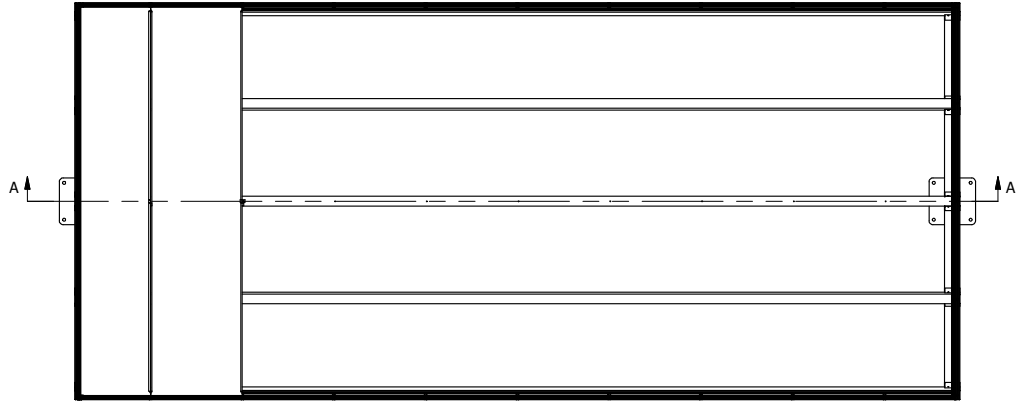
DETAIL A



DETAIL B

	BRASCO INTERNATIONAL, INC. 32400 INDUSTRIAL DR. MADISON HEIGHTS, MICHIGAN 48071 1-800-893-3665 WWW.BRASCO.COM		CUSTOMER:	BRASCO INTERNATIONAL	DESIGNER:	HAUS	CHECKER:	BDH
	<small>THIS DRAWING IS CONFIDENTIAL AND IS FOR THE SOLE USE OF OUR CUSTOMERS AND MAY NOT BE REPRODUCED OR COPIED WITHOUT WRITTEN PERMISSION FROM BRASCO INTERNATIONAL.</small>		PROJECT:	INSTALLATION INSTRUCTIONS	DATE:	5-8-14	DATE:	5-9-14
	MODEL:	PURLIN ATTACHMENT	JOB #		SHEET:	003	REVISION:	A

- SLIDE SECOND PANEL UNDER PANEL CLIP AND BUTT AGAINST FIRST PANEL AS SHOWN.
- SECURE AT MID PURLIN WITH PANEL CLIP USING (1) 1/4-20 x 1" S.S. SQUARE DRIVE SHEET METAL SCREW.
- CONTINUE INSTALLING PANELS FOR FULL LENGTH OF ROOF.



DETAIL B



SECTION A-A

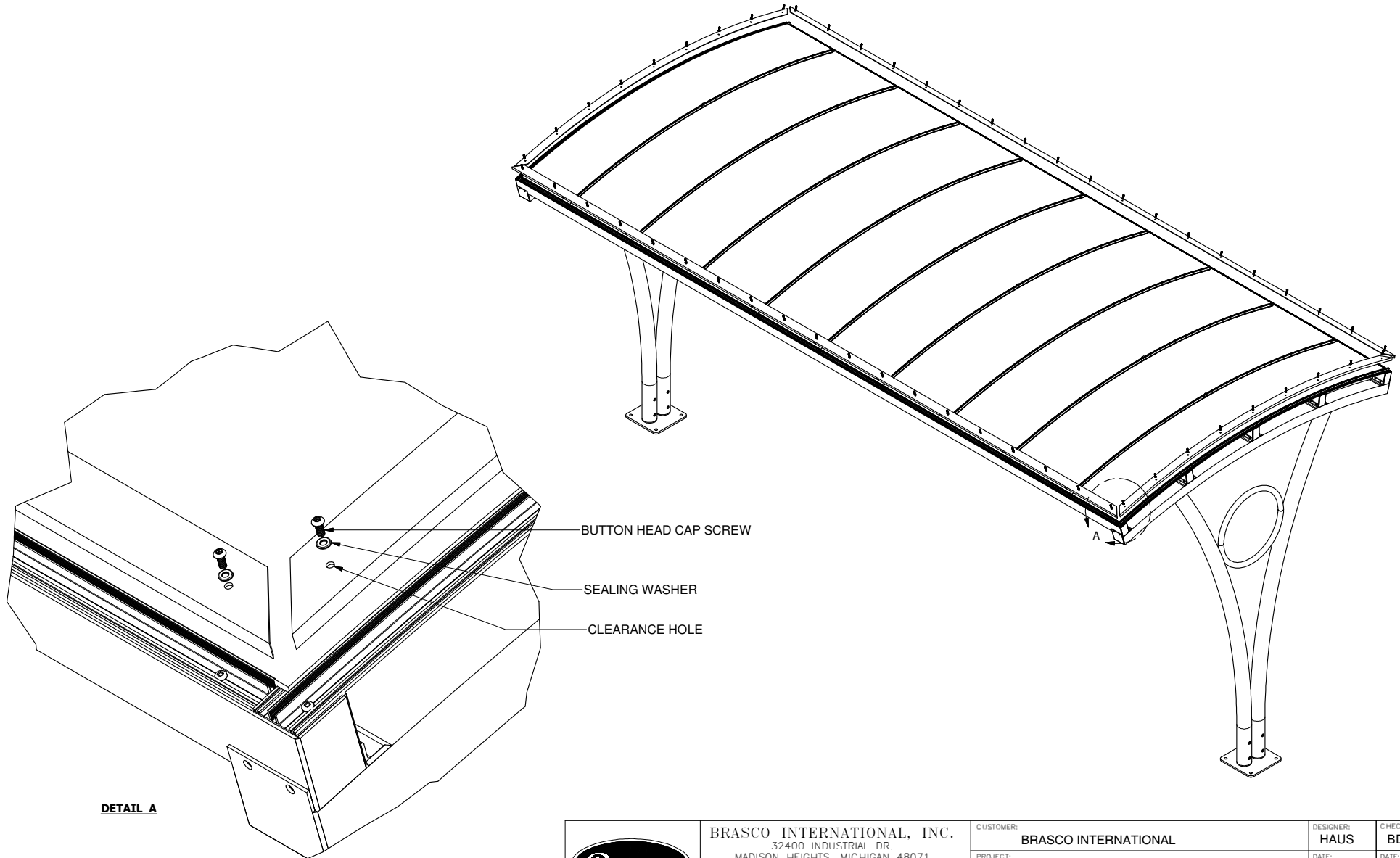


BRASCO INTERNATIONAL, INC.
 32400 INDUSTRIAL DR.
 MADISON HEIGHTS, MICHIGAN 48071
 1-800-893-3665 WWW.BRASCO.COM

THIS DRAWING IS CONFIDENTIAL AND IS FOR THE SOLE USE OF OUR CUSTOMERS AND MAY NOT BE REPRODUCED OR COPIED WITHOUT WRITTEN PERMISSION FROM BRASCO INTERNATIONAL.

CUSTOMER: BRASCO INTERNATIONAL		DESIGNER: HAUS	CHECKER: BDH
PROJECT: INSTALLATION INSTRUCTIONS		DATE: 5-8-14	DATE: 5-9-14
MODEL: PANEL INSTALLATION	JOB #	SHEET: 006	REVISION: A

- SECURE PANELS AT PERIMETER WITH ANGLE CAPS USING (1) SEALING WASHER AND (1) 1/4-20 x 5/8" S.S. BUTTON HEAD CAP SCREW PER CLEARANCE HOLE.
- CAULK ALL SEAMS IN CAPS.



DETAIL A

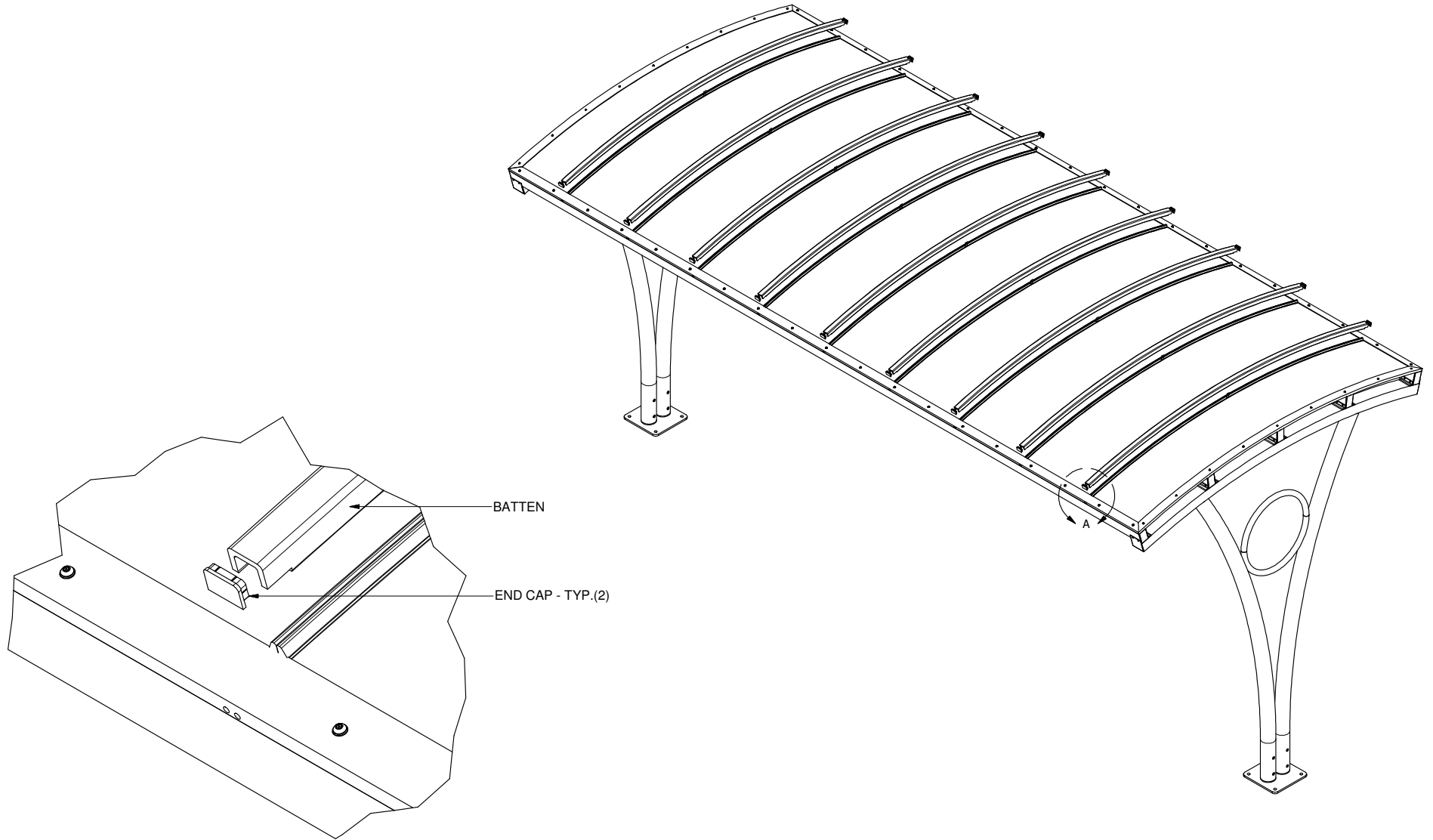


BRASCO INTERNATIONAL, INC.
 32400 INDUSTRIAL DR.
 MADISON HEIGHTS, MICHIGAN 48071
 1-800-893-3665 WWW.BRASCO.COM

THIS DRAWING IS CONFIDENTIAL AND IS FOR THE SOLE USE OF OUR CUSTOMERS AND MAY NOT BE REPRODUCED OR COPIED WITHOUT WRITTEN PERMISSION FROM BRASCO INTERNATIONAL.

CUSTOMER:	BRASCO INTERNATIONAL	DESIGNER:	HAUS	CHECKER:	BDH
PROJECT:	INSTALLATION INSTRUCTIONS	DATE:	5-8-14	DATE:	5-9-14
MODEL:	ANGLE CAP INSTALLATION	JOB #	007	REVISION:	A

- SNAP BATTENS ONTO PANELS.
- PRESS BATTEN END CAPS INTO BATTENS.



DETAIL A



BRASCO INTERNATIONAL, INC.
 32400 INDUSTRIAL DR.
 MADISON HEIGHTS, MICHIGAN 48071
 1-800-893-3665 WWW.BRASCO.COM

THIS DRAWING IS CONFIDENTIAL AND IS FOR THE SOLE USE OF OUR CUSTOMERS AND MAY NOT BE REPRODUCED OR COPIED WITHOUT WRITTEN PERMISSION FROM BRASCO INTERNATIONAL.

CUSTOMER: BRASCO INTERNATIONAL		DESIGNER: HAUS	CHECKER: BDH
PROJECT: INSTALLATION INSTRUCTIONS		DATE: 5-8-14	DATE: 5-9-14
MODEL: BATTEN INSTALL	JOB #	SHEET: 008	REVISION: A